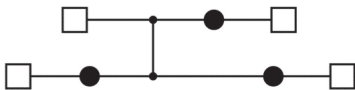
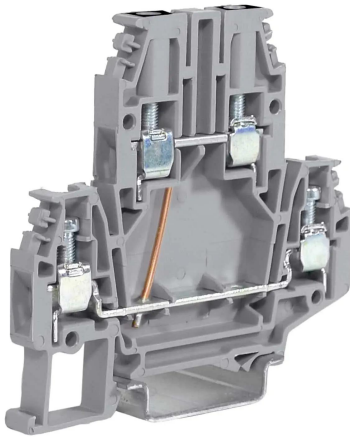
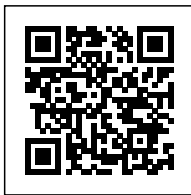


screw terminal block 2 levels interconnected, 4 mm², grey



Series	DBC
Code	DB417GR
Type	DBC.4/CI/GR
HS code	85369010
Colour	grey
TECHNICAL FEATURES	
Function/Type	2 levels with internal connection
Rated cross-section	4 mm ²
Connecting capacity	
Flexible wire	0.2-6 mm ²
Rigid wire	0.2-6 mm ²
Wire with ferrule - ferrule type	4 mm ² - WP40/16
Electrical characteristics according to IEC EN standard	
Maximum voltage AC/DC	630 V
Maximum current (rated cross-section)	32 A
Caliber	A4
Electrical characteristics according to UL Standard	
Maximum voltage AC/DC	600 V
Maximum current (rated cross-section)	30 A
Section (min-max)	20-10 (AWG)
Tightening torque value (UL)	4.4 lb.in
Electrical characteristics according to ATEX directive and IEC Ex standard	
Maximum voltage AC/DC	-
Maximum current (rated cross-section)	-
Rated impulse withstand voltage / pollution degree	8 kV / 3
Insulation stripping length	9 mm
Tightening torque value (nom. / max.)	0.5 / 1 Nm
Width (pitch)	6 mm
Length	70 mm
Height mounted on TH35-7.5/TH35-15/G32	66 / 74 / - mm
Insulation material temperature index (EN 60216-1)	130 °C
Plastic material	Polyamide UL94V-0
ACCESSORIES	
End section	
Grey	DBC.4/PT/GR (cod. DB401GR)
Blue	DBC.4/PT (Ex)i (cod. DB402)
Beige	-
Thickness	1.5 mm
Cross-connection	
Model A)	PTC/4/... (cod. PTC04...)
Model B)	PTP/4D/... (cod. PTP04D...)
Rated current carrying capacity IEC/ATEX	32 A
Cross-connection identification strip	PTC/SP (cod. PTC0990)
Internal removable cross-connection	-
Switchable cross-connection	-
Multiple cross-connection bar	-
Shunting screw and sleeve (Standard / Exe)	-
Protection cover	-
Coloured partition plate	DFU/7/R (cod. DU07R)
Cross-connection barrier	DFM/800 (cod. DF800) - DFM/900 (cod. DF900) - DFM/500 (cod. DF500)
Test plug socket	-
Modular test plug	-
End section for modular test plug	-
Operating temperature Min/Max	-
Marking	
Single marking tag	CNU/8/51 (cod. NU0851S) - CNU/10/61 (cod. NU1061S)
Single marking tag for pitch insertion	CNU/8/51 (cod. NU0851S)
End bracket	
TH35 screw type	BT/3 (cod. BT003)
TH35 snap-fit type	BTO (cod. BT007)
TH35 and G32 snap-fit type	BTU (cod. BT005)
Mounting rail	
IEC 60715/TH35	PR/3/...
IEC 60715/G32	-
APPROVALS AND MARKINGS	



1 For more details on accessories, refer to the relevant chapters

DESCRIZIONE DEL PRODOTTO

screw terminal block 2 levels interconnected, 4 mm², grey