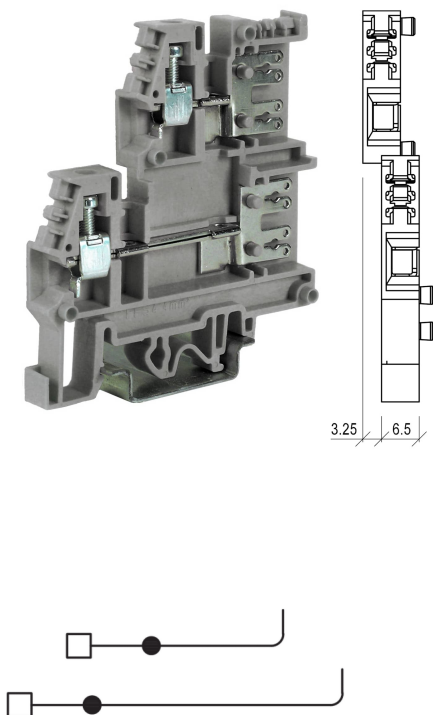
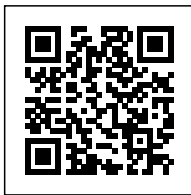


Screw

terminal block with offset flat connection sfalsata, grey color



Series	FVS
Code	FF100GR
Type	FFS.4/GR
HS code	85369010
Colour	grey
TECHNICAL FEATURES	
Function/Type	2 levels with solder terminal
Rated cross-section	4 mm ²
Connecting capacity	
Flexible wire	0.2-6 mm ²
Rigid wire	0.2-6 mm ²
Wire with ferrule - ferrule type	4 mm ² - WP40/16
Electrical characteristics according to IEC EN standard	
Maximum voltage AC/DC	320 V
Maximum current (rated cross-section)	20 A
Caliber	A4
Electrical characteristics according to UL Standard	
Maximum voltage AC/DC	600 V
Maximum current (rated cross-section)	20 A
Section (min-max)	20-10 (AWG)
Tightening torque value (UL)	8.9 lb.in
Electrical characteristics according to ATEX directive and IEC Ex standard	
Maximum voltage AC/DC	-
Maximum current (rated cross-section)	-
Rated impulse withstand voltage / pollution degree	6 kV / 3
Insulation stripping length	12 mm
Tightening torque value (nom. / max.)	0.5 / 1.2 Nm
Width (pitch)	6.5 mm
Length	64 mm
Height mounted on TH35-7.5/TH35-15/G32	69 / 77 / 73 mm
Insulation material temperature index (EN 60216-1)	130 °C
Plastic material	Polyamide UL94V-0
ACCESSORIES	
End section	
Grey	-
Blue	-
Beige	-
Thickness	1.5 mm
Cross-connection	
Model A)	PM/41/2 (cod. PM412)
Model B)	-
Rated current carrying capacity IEC/ATEX	32 / - A
Cross-connection identification strip	-
Internal removable cross-connection	-
Switchable cross-connection	POS/72 (cod. POS72)
Multiple cross-connection bar	PMP/42 (cod. PMP42)
Shunting screw and sleeve (Standard / Exe)	CPM/01 (cod. CPM01) - CPX/01 (cod. CPX01)
Protection cover	PRP/6 (cod. PRP06)
Coloured partition plate	-
Cross-connection barrier	-
Test plug socket	SDD/1 (cod. DD001) - PSD/A (cod. PD001)
Modular test plug	-
End section for modular test plug	-
Marking	
Single marking tag	CNU/8/51 (cod. NU0851S), CNU/10/51 (cod. NU1051S)
Single marking tag for pitch insertion	CNU/8/61 (cod. NU0861S), CNU/10/61 (cod. NU1061S)
End bracket	
TH35 screw type	BT/3 (cod. BT003)
TH35 snap-fit type	BTO (cod. BT007)
TH35 and G32 snap-fit type	BTU (cod. BT005)
Mounting rail	
IEC 60715/TH35	PR/3/...
IEC 60715/G32	PR/DIN/...
APPROVALS AND MARKINGS	



1 For more details on accessories, refer to the relevant chapters

DESCRIZIONE DEL PRODOTTO

FFS.4/GR Screw terminal block with offset flat connection
sfalsata, grey color