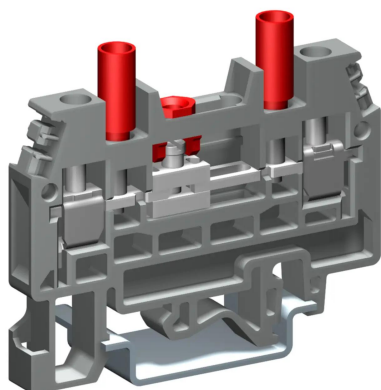
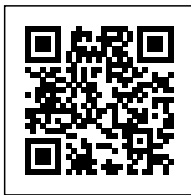


screw terminal block for test and measurement circuits, 4 mm<sup>2</sup>, grey



Series	FPC – SCB
Code	SB310GR
Type	SCB.4/DD/GR
HS code	85369010
Colour	grey
<b>TECHNICAL FEATURES</b>	
Function/Type	Disconnecter
Rated cross-section	4 mm <sup>2</sup>
<b>Connecting capacity</b>	
Flexible wire	0.2-6 mm <sup>2</sup>
Rigid wire	0.2-6 mm <sup>2</sup>
Wire with ferrule - ferrule type	4 mm <sup>2</sup> – WP40/16
<b>Electrical characteristics according to IEC EN standard</b>	
Maximum voltage AC/DC	800 V
Maximum current (rated cross-section)	32 A
Caliber	A4
<b>Electrical characteristics according to UL Standard</b>	
Maximum voltage AC/DC	600 V
Maximum current (rated cross-section)	20 A
Section (min-max)	20-12 (AWG)
Tightening torque value (UL)	4.4 lb.in
<b>Electrical characteristics according to ATEX directive and IEC Ex standard</b>	
Rated impulse withstand voltage / pollution degree	8 kV / 3
Insulation stripping length	9 mm
Tightening torque value (nom. / max.)	0.5 / 1.2 Nm
Width (pitch)	6.5 mm
Length	58 mm
Height mounted on TH35-7.5/TH35-15/G32	44 / 52 / 48 mm
Insulation material temperature index (EN 60216-1)	130 °C
Plastic material	Polyamide UL94V-0
<b>ACCESSORIES</b>	
<b>End section</b>	
Grey	SCB.4/PT/GR (cod. SB301GR)
Blue	–
Beige	SCB.4/PT (cod. SB301)
Thickness	1.5 mm
<b>Cross-connection</b>	
Model A)	PM/40/... (cod. PM4...)
Model B)	–
Rated current carrying capacity IEC/ATEX	32 A
Cross-connection identification strip	–
Switchable cross-connection	POS/12 (cod. POS12)
Multiple cross-connection bar	PMP/42 (cod. PMP42)
Shunting screw and sleeve (Standard / Exe)	CPM/12 (cod. CPM12)
Coloured partition plate	DFU/3/R (cod. DU03R)
Cross-connection barrier	–
Test plug socket	2 pieces included
Test plug	SDD/1 (cod. DD001)
<b>Screw and plate for short-circuit</b>	
Screw and sleeve	–
2 poles plate	–
4 poles plate	–
<b>Marking</b>	
Single marking tag	CNU/8/51 (cod. NU0851S) – CNU/10/61 (cod. NU1061S)
Single marking tag for pitch insertion	–
<b>End bracket</b>	
TH35 screw type	BT/3 (cod. BT003)
TH35 snap-fit type	BTO (cod. BT007)
TH35 and G32 snap-fit type	BTU (cod. BT005)
<b>Mounting rail</b>	
IEC 60715/TH35	PR/3/...
IEC 60715/G32	–
<b>APPROVALS AND MARKINGS</b>	



## DESCRIZIONE DEL PRODOTTO

screw terminal block for test and measurement circuits, 4 mm<sup>2</sup>, grey