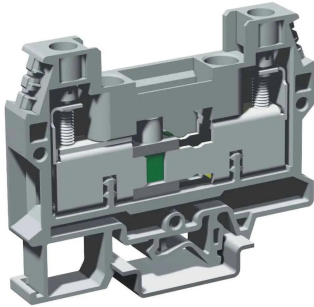



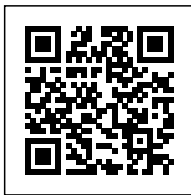


screw terminal block for test and measuring circuits, 10 mm², grey



Series	SCB
Code	SB400GR
Type	SCB.10/GR
HS code	85369010
Colour	grey
TECHNICAL FEATURES	
Function/Type	Disconnecter
Rated cross-section	10 mm ²
Connecting capacity	
Flexible wire	0.5-16 mm ²
Rigid wire	0.5-16 mm ²
Wire with ferrule - ferrule type	10 mm ² – WP100/21
Electrical characteristics according to IEC EN standard	
Maximum voltage AC/DC	1000 V
Maximum current (rated cross-section)	57 A
Caliber	A4
Electrical characteristics according to UL Standard	
Maximum voltage AC/DC	–
Maximum current (rated cross-section)	–
Section (min-max)	–
Tightening torque value (UL)	–
Electrical characteristics according to ATEX directive and IEC Ex standard	
Rated impulse withstand voltage / pollution degree	8 kV / 3
Insulation stripping length	14 mm
Tightening torque value (nom. / max.)	1.2 / 1.9 Nm
Width (pitch)	10.5 mm
Length	75 mm
Height mounted on TH35-7.5/TH35-15/G32	59.5 / 67.5 / 63.5 mm
Insulation material temperature index (EN 60216-1)	130 °C
Plastic material	Polyamide UL94V-0
ACCESSORIES	
End section	
Grey	SCB/10/PT/GR (cod. SB401GR)
Beige	SCB/10/PT (cod. SB401)
Thickness	1.5 mm
Cross-connection	
Model A)	POF/56 (cod. POF56)
Model B)	–
Rated current carrying capacity IEC/ATEX	–
Cross-connection identification strip	–
Switchable cross-connection	–
Multiple cross-connection bar	PMP/56 (cod. PMP56)
Shunting screw and sleeve (Standard / Exe)	CPM/56 (cod. CPM56)
Coloured partition plate	DFU/7/R (cod. DU07R)
Cross-connection barrier	–
Test plug socket	–
Test plug	SDD/2 (cod. DD002)
Screw and plate for short-circuit	
Screw and sleeve	SCX/CPM (cod. SC105)
2 poles plate	SCX/PO/2 (cod. SC103)
4 poles plate	SCX/PO/4 (cod. SC104)
Marking	
Single marking tag	CNU/8/51 (cod. NU0851S) – CNU/10/61 (cod. NU1061S)
Single marking tag for pitch insertion	–
End bracket	
TH35 screw type	BT/3 (cod. BT003)
TH35 snap-fit type	BTO (cod. BT007)
TH35 and G32 snap-fit type	BTU (cod. BT005)
Mounting rail	
IEC 60715/TH35	PR/3/...
IEC 60715/G32	–
APPROVALS AND MARKINGS	  



* DD version suitable for voltmeter circuits (with sockets upstream and downstream of the slide link)* CD version suitable for amperometric circuits (with sockets upstream and downstream of the slide link and sleeve for short circuit upstream of the slide link)

DESCRIZIONE DEL PRODOTTO

screw terminal block for test and measuring circuits, 10 mm², grey