

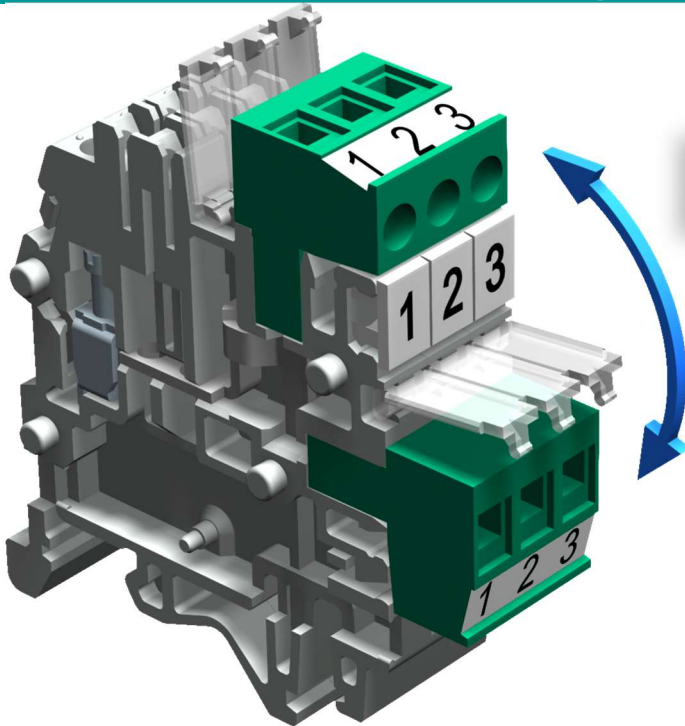
cabur®

CONNECTING ENERGY
SINCE 1952

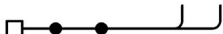


NEW
cabur

VPC.2/S

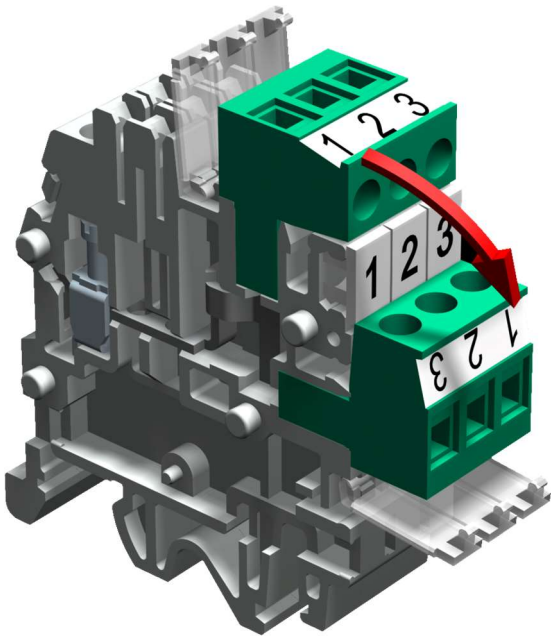
**Terminal block for female connectors pitch 5.08 mm
with aligned outputs**



Connectors can be inserted in both positions
without polarity inversion.

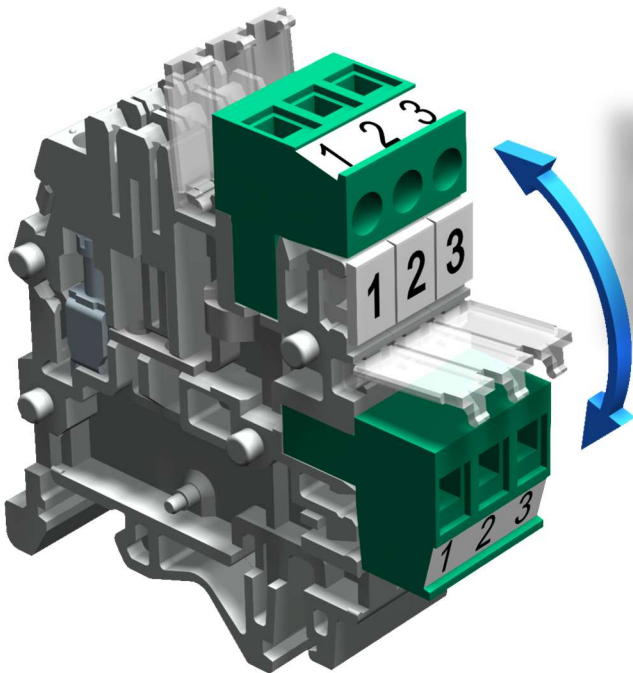
GREY VERSION		VPC.2/S/GR	cod. VP300SGR
BLUE VERSION		VPC.2/S (Ex)i	cod. VP310S
TECHNICAL CHARACTERISTICS			
		 Aligned outputs	
Function/type		1 screw connection and 2 pins for female connectors	
Sezione nominale		[mm ²]	1.5
Connecting capacity	Flexible	[mm ²]	0.2 ÷ 4
	Rigid	[mm ²]	0.2 ÷ 4
	Max. flexible with ferrule – ferrule type	[mm ²]	2.5 – WP25/14
Electrical characteristics According to European standard IEC EN 60947-7-1	Max AC/DC Voltage	[V]	320
	Max current with rated cross-section	[A]	12
	Sectionazione	Caliber	A3
Electrical characteristics according to UL Standard	Max AC/DC Voltage	[V]	600
	Max current with rated cross-section	[A]	15
	Section Min-Max	[AWG]	20-14
	Tightening torque	[lb.in]	5.5
Rated impulse withstand voltage/pollution degree			4kV/3
Insulation stripping length		[mm]	9
Tightening torque value test / Max		[Nm]	0.4/0.8
Length		[mm]	44
Width		[mm]	5.08
Height mounted on TH35/7.5		[mm]	51
Height mounted on TH35/15		[mm]	59
Height mounted on G32		[mm]	55
APPROVALS		 	
ACCESSORIES			
The same of VPC.2			

Compared versions



VPC.2:

the outputs are inverted, so the position of the connectors **is not interchangeable**.



VPC.2/S:

the outputs are aligned, so the position of the connectors **is interchangeable**, without risk of inversion of the connections.



The accessories are the same for both versions.